

PARTS DIAGRAM & PARTS LIST

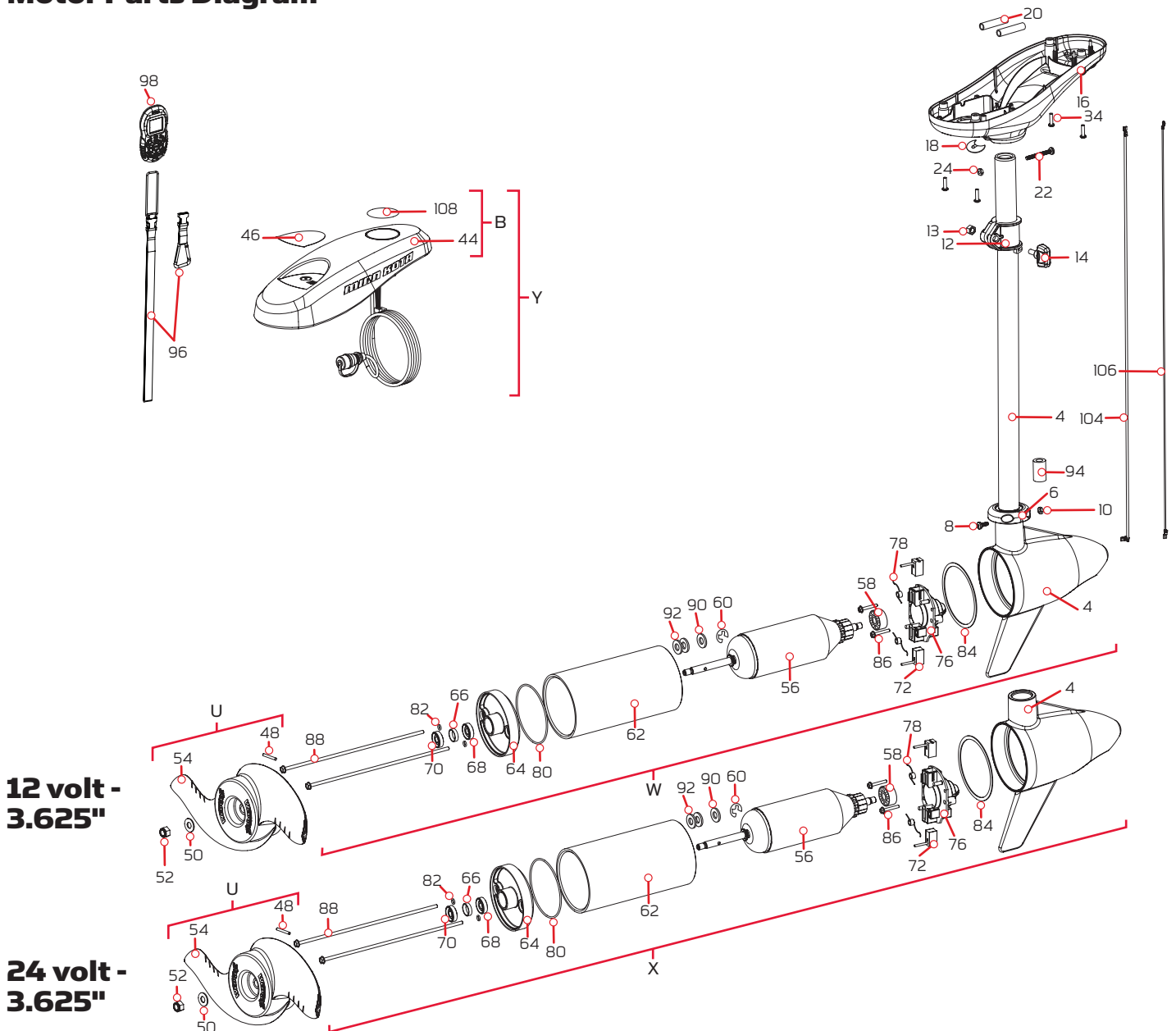
RIPTIDE POWERDRIVE

55/70 LBS THRUST - 12/24 VOLT - 48"/54" SHAFT

The parts diagram and parts list provides Minn Kota® WEEE compliance disassembly instructions. For more information about where you should dispose of your waste equipment for recycling and recovery and/or your European Union member state requirements, please contact your dealer or distributor from which your product was purchased. Tools required, but not limited to: flat head screwdriver, Phillips screwdriver, socket set, pliers, wire cutters.

RIPTIDE POWERDRIVE MOTOR

Motor Parts Diagram



PARTS DIAGRAM & PARTS LIST

Motor Parts List

Assembly	Part #	Description	Quantity
B	2770203 ◆	COVER & DECAL KIT, RIPTIDE POWERDRIVE *i-PILOT COVER & DECALS ONLY*	1
W	2097095	MTR ASY 12V 3.62 VS 55# *SALTWATER*	1
X	2096056	MTR ASY 24V 3.62 VS 70#SW *SALTWATER*	1
U	1378131	PROP IND 2091160 (WDLS WDGII)	1
Y	2774054 ◆	CONTROLLER, RT POWERDRIVE *i-PILOT RECEIVER*	1
CC	2888460	SEAL & O-RING KIT *3.625*	1
Item	Part #	Description	Quantity
2	421-336	HSG BRUSH END 3.62 WHITE *SALTWATER*	1
4	2002000	TUBE COMPOSITE 48" RT/SP-WHT *SALTWATER*	1
	2002001	TUBE COMPOSITE 54" RT/SP-WHT *SALTWATER*	1
6	2301555	COLLAR-LATCH, PD/AP	1
8	2303434	SCREW-#8-32 X 5/8 MACH PHCR SS	1
10	2303112	NUT-#8-32 NYLOCK SS	1
12	2031522	COLLAR DRIVE (W/INSERT)	1
13	2323104	HEX NUT 1/4 - 20 SS	1
14	2011366	SCREW-COLLAR/NEW KNOB(SS) *SALTWATER*	1
16	2292506	CONTROL BOX A/P RT-WHITE *SALTWATER*	1
18	2224701	INSERT-PLUG, WHITE *SMALL HOLE* *SALTWATER*	1
	2224703	INSERT-PLUG, WHITE *NO-HOLE* *SALTWATER*	1
20	2305402	SHRINK TUBE-.374 OD X 2.25" *SALTWATER*	2
22	2332102	SCREW-#10-24 X 1-3/4 PPH SS *SALTWATER*	1
24	2333101	NUT-HEX #10-24 UNC-2B NYL SS *SALTWATER*	1
34	2372100	SCREW-#8-18 X 5/8 THD* (SS)	5
44	✘	MOTOR KIT, IP 1.6 RT POWERDRIVE	1
46	✘	DECAL-GENERIC, PUSH BTN TOP SW *SALTWATER*	1
48	2092600	PIN-DRIVE 1.06" LG (SS)	1
50	2151726	WASHER-5/16 STD (S/S)	1
52	2198400	ANODES, ZINC, 3.25/3.62" LWR UNT	1
54	2091160	PROP-WW2 (3 5/8") REAMED	1
56	2-100-119	ARM ASSY 24V 3.62 70# (WW2)	1
	2-100-117A	ARM ASY 12V 3.62 55#2.88"	1
58	140-010	BALL BEARING	1
60	788-015	RETAINING RING	1
62	2-200-304	CTR HSG ASY 3.6 SW/TX/W-MG	1
	2-200-301A	CTR HSG ASY 3.6 SW/TX/W-MGNTZ	1
64	2-400-337A	PLAIN END HSG ASY 3.6 TX/W	1

✘ This part is included in an assembly and cannot be ordered individually.

▲ Not shown on Parts Diagram.

◆ May only be available with i-Pilot.

PARTS DIAGRAM & PARTS LIST

Item	Part #	Description	Quantity
66	144-049	BEARING - FLANGE (SERVICE ONLY)	1
68	880-003	SEAL	1
70	880-006	SEAL WITH SHIELD	1
72	188-036	BRUSH ASSEMBLY 3.625 55#	2
	188-037	BRUSH ASSEMBLY 3.625 70# 6H3	2
76	738-036	BRUSH PLATE WITH HOLDER 3.625	1
78	975-040	SPRING-TORSION	2
80	701-041	O-RING	1
82	701-007	O-RING THRU BOLT	2
84	701-039	O-RING	1
86	830-007	SCREW, # 8-32	2
88	830-008	THRU BOLT 10-32 x 9.205	2
	830-042	THRU BOLT 10-32 X 8.83	2
90	990-067	WASHER - STEEL THRUST	1
92	990-070	WASHER - NYLATRON	2
94	2307314	BEAD-FERRITE	1
96	2390800 ♦	LANYARD, REMOTE W/ CARABINER	1
98	2994075 ♦	REMOTE ASSY, IPILOT	1
104	640-107	LEADWIRE RED 10AWG 65-1/2" GPT	1
	640-106	LEADWIRE RED 10 AWG 64 GPT	1
106	640-008	LEADWIRE BLK 10AWG 63-1/2" GPT	1
108	✘	DECAL, DOMED IPILOT SW	1

✘ This part is included in an assembly and cannot be ordered individually.

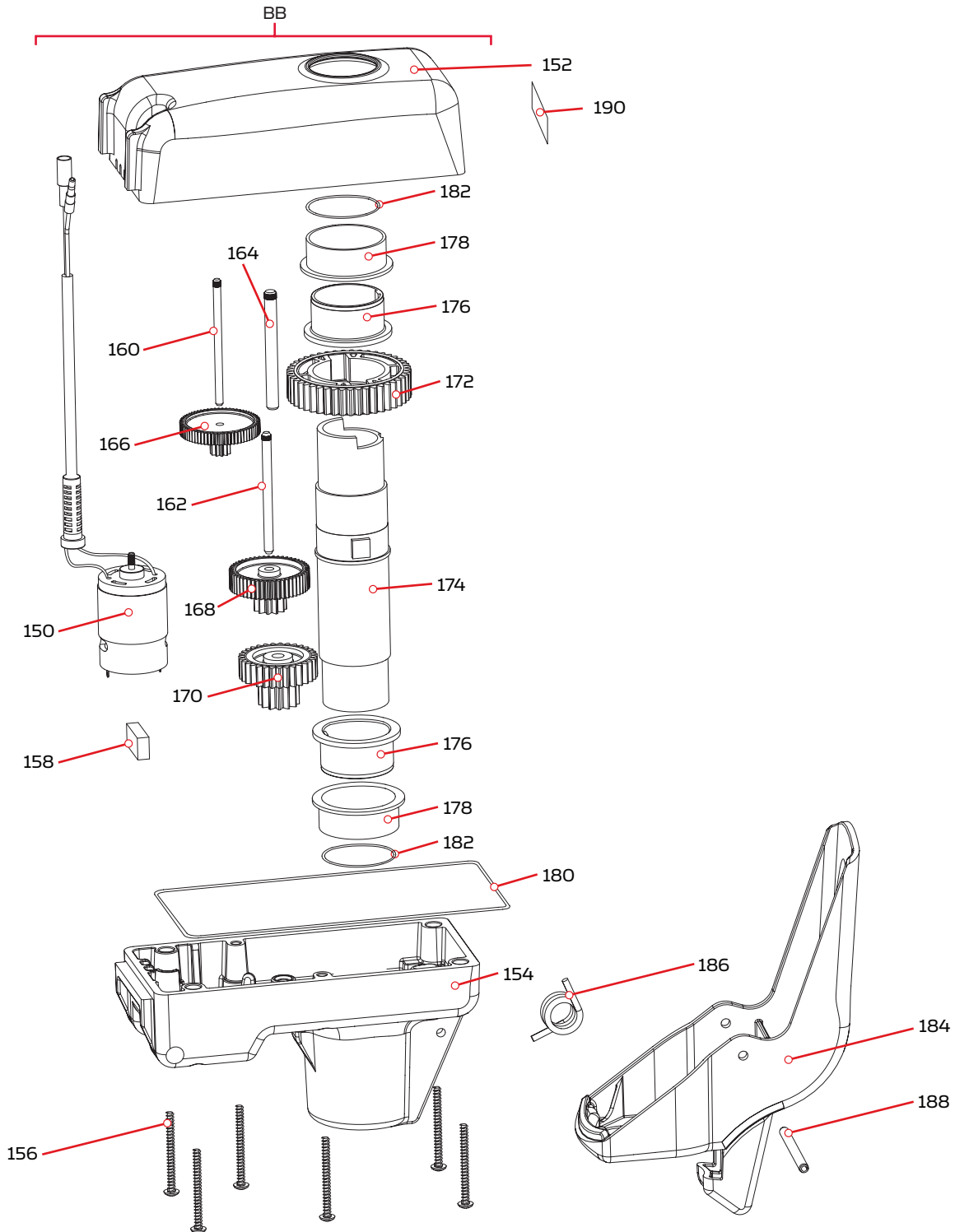
▲ Not shown on Parts Diagram.

♦ May only be available with i-Pilot.

PARTS DIAGRAM & PARTS LIST

RIPTIDE POWERDRIVE STEERING HOUSING

Steering Housing Parts Diagram



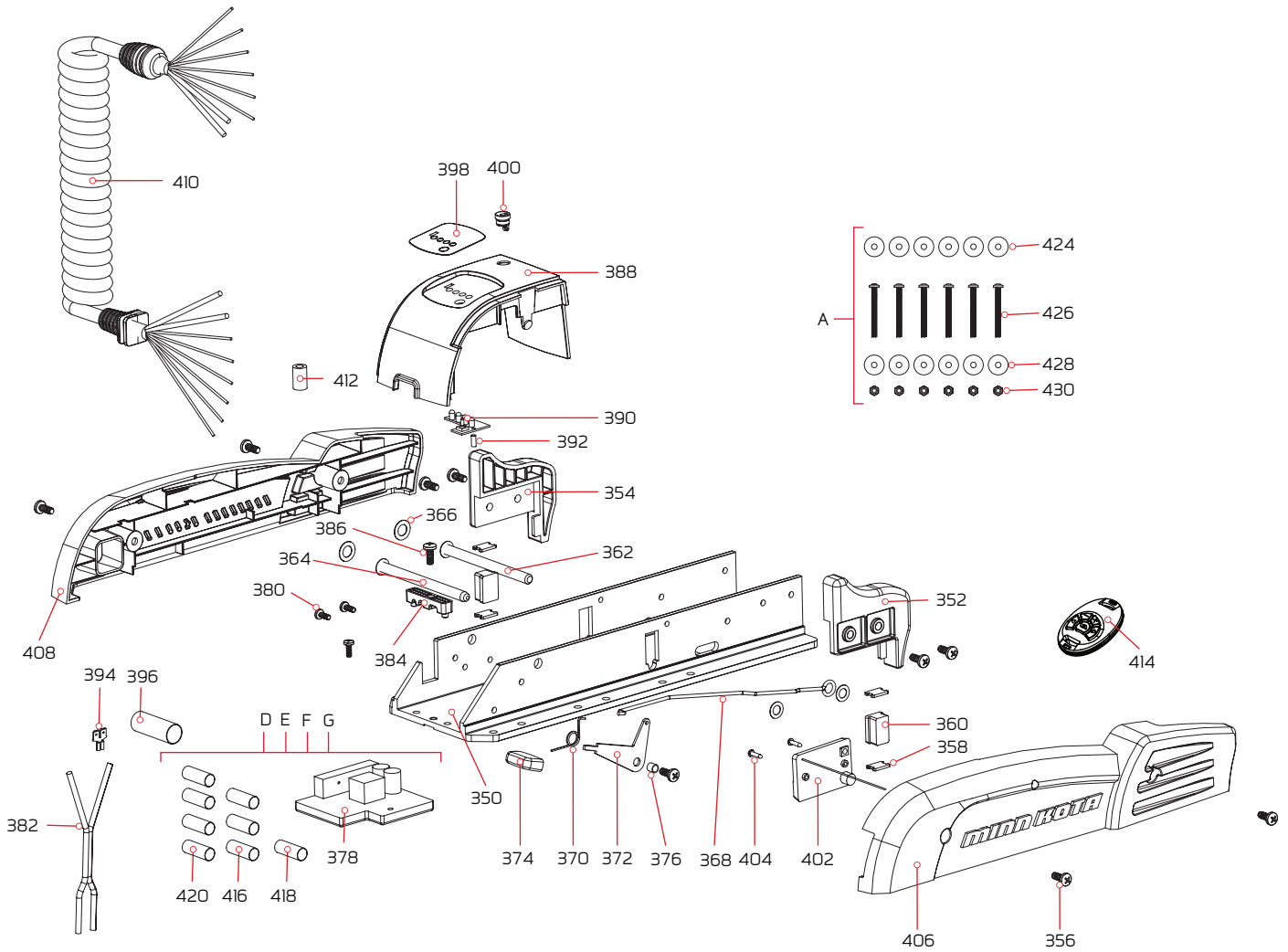
Steering Housing Parts List

Assembly	Part #	Description	Quantity
BB	2771827	DRIVE HOUSING ASSY, RT SP	1
Item	Part #	Description	Quantity
150	2307050	MOTOR DR.HSG PD/AP 12,24V	1
152	2302543	CASE-UPPER,ALUM, SW - WHITE	1
154	2302562	CASE-LOWER, ALUM, SW - WHITE	1
156	2303408	SCREW-#8-32 TYPE F TORX PH SS	6
158	2308601	BREATHER FILTER, DR.HOUSING	1
160	✘	SHAFT-GEAR, FIRST CLUSTER	1
162	✘	SHAFT-GEAR,INTERMED.CLUSTER	1
164	✘	SHAFT-GEAR, THIRD CLUSTER	1
166	2302245	GEAR & PINION,DR. HSG, STAGE 2	1
168	2302250	GEAR & PINION,DR. HSG, STAGE 3	1
170	2302255	GEAR & PINION,DR. HSG, STAGE 4	1
172	2302260	GEAR-OUTPUT SHAFT,STG 5	1
174	2302010	SHAFT-OUTPUT, DR.HOUSING	1
176	2307304	BUSHING-INNER, UPPER/LOWER	2
178	2307305	BUSHING-OUTER, UPPER/LOWER	2
180	2304603	O-RING-SHAFT SEAL UPPER/LOW	2
182	2304604	O-RING-CASE SEAL	1
184	2307201	LEVER,GRIP GLIDE II	1
186	2302750	SPRING-LATCH,TORSION,PD/AP,S/S	1
188	2302628	PIN-ROLL,3/16 X 2.5" SS	1
190	2305564	DECAL - STOW/DEPLOY	1

PARTS DIAGRAM & PARTS LIST

RIPTIDE POWERDRIVE MOUNT

Mount Parts Diagram



Mount Parts List

Assembly	Part #	Description	Quantity
A	2994864	BAG ASSEMBLY - (BOLT, NUT, WASHERS)	1
D	2884058	CONTROL BOARD-24V V2 W AP W/SHRNK *AUTOPILOT*	1
E	2884055	CONTROL BRD-12V V2 W/O AP W/SHRNK	1
F	2884057	CONTROL BOARD-12V V2 W/AP W/SHRNK *AUTOPILOT*	1
G	2884056	CONTROL BRD-24V V2 W/O AP W/SHRNK	1
Item	Part #	Description	Quantity
350	2301937	EXTRUSION BASE PD V2 *SALTWATER*	1
352	2303932	MOTOR REST-RIGHT, 3 5/8"	1
	2303930	MOTOR REST-RIGHT, 3 1/4"	1
354	2303937	MOTOR REST-LEFT, 3 5/8"	1
	2303935	MOTOR REST-LEFT, 3 1/4"	1
356	2332104	SCREW-1/4-20 X 5/8 S/S *SALTWATER*	9
358	2335110	PAD-PIVOT SUPPORT(SS) *SALTWATER*	4
360	2305103	PIVOT PAD,559 FB DUROMETER 90A	2
362	2330510	PIN-LATCH (PD BASE)SS *SALTWATER*	1
364	2330520	PIN-PIVOT (PD BASE)SS *SALTWATER*	1
366	2333100	NUT-SPEED (SS) *SALTWATER*	4
368	2303612	ROD-RELEASE (RT/AP) S/S	1
370	2322700	SPRING-TORSION	1
372	2333705	LEVER-RELEASE S/S *SALTWATER*	1
374	2300101	RELEASE-KNOB	1
376	2301700	SPACER-RELEASE LEVER-BRASS	1
378	2304067	CONTROL BOARD-24V V2 W/AP *AUTOPILOT*	1
	2304064	CONTROL BRD-12V V2 W/O AP	1
	2304066	CONTROL BOARD-12V V2 W/AP *AUTOPILOT*	1
	2304065	CONTROL BRD-24V V2 W/O AP	1
380	2303434	SCREW-#8-32 X 5/8 MACH PHCR SS	3
382	2090651	LEADWIRE,10 GA	1
	2266730	LEADWIRE w/PLUG,12/24V,PD,TRKR *TRACKER BOATS EXCLUSIVE*	1
384	2321310	STRAIN RELIEF	1
386	2323405	SCREW-1/4-20 X 1/2" MCH SS	1
388	2306571	HOUSING-CENTER RT-WHITE *SALTWATER*	1
390	2074081	BATTERY METER, 24V *SALTWATER*	1
	2074080	BATTERY METER, 12V *SALTWATER*	1
392	2383428	SCREW-#4-24 X 5/8 HI-LO SS	1
394	2320710	TERMINAL-AMP (T-TAB)	1

PARTS DIAGRAM & PARTS LIST

Item	Part #	Description	Quantity
396	2325401	SHRINK TUBE-3/4 ID X 2" W/ADHS	1
398	2305502	DECAL,BATTERY METER PD V2 SW *SALTWATER*	1
400	2302935	STRAIN RELIEF-DR. HOUSING	1
402	2994112	TRANS/REC ASY PD V2 SW *COPILOT ONLY* *SALTWATER*	1
404	2373418	SCREW-#8 X 5/8 PPHSMS S/S *COPILOT ONLY* *SALTWATER*	2
406	2303972	SIDEPLATE-RIGHT RT-WHITE * SALTWATER*	1
408	2303977	SIDEPLATE-LEFT RT-WHITE *SALTWATER*	1
410	2991284	COIL CORD W/STRAIN RLF,PD 60"	1
	2991280	COIL CRD W/STRN RLF, PD 48"/54"	1
	2991283	COIL CORD W/STRN RLF, PD 48"/54"	1
412	2307313	BEAD-FERRITE	1
414	2994020	TRASMTR, ASY, PD/AP COPLT *COPILOT ONLY* *SALTWATER*	1
416	2305410	SHRINK TUBE-.315 OD X 2.25" *SALTWATER*	3
418	2305415	SHRINK TUBE-.472 ID X 2.25" *SALTWATER*	1
420	2305403	SHRINK TUBE-.500 IDX1.0" ADHSV *SALTWATER*	4
424	2263462	SCREW-1/4-20 X 2" S/S PPH ADJT	6
426	2261713	WASHER-1/4 FLAT 18-8 SS	6
428	2263103	NUT-1/4-20 NYLOCK SS	6
430	2301720	WASHER-MOUNTING - RUBBER	6